

GLOBAL GRANNIES
presents...

PORTUGAL AND THE DOURO RIVER CRUISE

Porto to Salamanca, Spain, and return

Including 2 Nights in Lisbon

**Early
Booking
Savings!**
Call for details



ALL SHORE EXCURSIONS INCLUDED

Seven nights accommodations aboard the *MS Douro Queen*

11 DAYS • 23 MEALS

Tour Dates:

September 24th – October 4th, 2017


MayflowerTours[™]
Life Enriching Experiences

PORTUGAL AND THE DOURO RIVER CRUISE



Monument to the Discoveries in Lisbon

The Mayflower Way

- ✓ 23 Meals (8 dinners, 6 lunches and 9 breakfasts)
- ✓ Airport transfers on tour dates when air is provided by Mayflower Tours
- ✓ International Cruise Director and Mayflower Tours expert staff onboard, plus English-speaking guides for shore excursions
- ✓ Spend two nights in Lisbon, Portugal before the cruise
- ✓ Stop in Fátima and included sightseeing in Coimbra en-route
- ✓ Visit to the oldest university of Portugal in Coimbra
- ✓ Visit the UNESCO World Heritage Sites of the Monument to the Discoveries, Belem Tower, Guimaraães, Porto and Salamanca, Spain
- ✓ Experience the Douro River aboard the exclusively chartered river vessel the *MS Douro Queen* on a seven-night cruise
- ✓ After boarding, unpack just once in your comfortable river view stateroom
- ✓ All shore excursions included with English-speaking guides
- ✓ All meals included while on the river cruise featuring local and international specialties served at one leisurely seating
- ✓ All onboard dinners are served with complimentary local wines
- ✓ Evening events and Insights onboard
- ✓ Spacious public areas, Sun Deck with swimming pool, lounge with bar and dance floor
- ✓ Complimentary WiFi on the ship (public areas only)
- ✓ Enhanced tour experience with the use of individual audio headphones
- ✓ \$55 in Mayflower Money

Local Insights

- ✓ Dinner at a 13th-century monastery
- ✓ Three wine tastings at local venues
- ✓ Dinner at a working vineyard estate
- ✓ Lunch of local specialties and Flamenco show while ashore in Spain
- ✓ Culinary demonstration onboard by the ship's chef
- ✓ Portuguese folklore and Fado show onboard
- ✓ Onboard dinner of barbecued Portuguese specialties

DAY ONE – Depart the USA

Depart the USA on your overnight flight to Lisbon, the capital city of Portugal.

DAY TWO – Lisbon, Portugal

Upon arrival you'll be met by a Mayflower Tours representative and transferred to your hotel. Enjoy a free afternoon to explore this city that launched the great 'Age of Discovery'. This evening, join your Tour Manager and fellow travelers for a Welcome Dinner. (Dinner)

DAY THREE – Discover Lisbon

After breakfast, enjoy a guided city tour. Visit Jerónimos Monastery – a masterpiece of Manuelino architecture. See the intricately carved statues on the 'Monument to the Discoveries' paying homage to the explorers from the Golden Age of Discovery. Belem Tower, a UNESCO World Heritage Site, still regally stands guard over the waterfront. Enjoy the remainder of the day to shop, dine and experience Lisbon on your own. (Breakfast)

DAY FOUR – Fátima / Coimbra / Ship embarkation

This morning, depart Lisbon for Porto, the embarkation point for your cruise. En-route, visit Fatima, home to one of the most important Catholic shrines. The city's fame originates from the apparitions of Our Lady of the Rosary that appeared to three shepherd children in the nearby fields. Continue on to Coimbra and visit the amazing library of its famous university. Upon arrival at Vila Nova de Gaia (port for Porto) in the late afternoon, the *MS Douro Queen*, home for the next seven nights, awaits your embarkation. The ship remains in port overnight as you enjoy a Welcome Reception and dinner onboard.

(Breakfast) (Dinner onboard)

DAY FIVE – Régua / Pinhão

Enjoy the first morning onboard sailing through the picturesque Douro River Valley. Best known for its fortified Port wines, this valley is one of the world's oldest defined wine regions. This afternoon, visit the magnificent 18th-century manor house depicted on Mateus Rosé wine bottles. Stroll the amazing grounds, from the beautiful reflection pool at the entrance to the manicured gardens in back. A local guide will escort you through the rooms of the historic Château, one of the best examples of baroque architecture in Portugal. At the end of the tour, return to the ship in Pinhão. A festive treat awaits ashore this evening with a visit to *Quinta Avessada*, a family-owned working vineyard estate, where you learn about the making of Muscatel wine. Highlights of the evening will be the wine tasting, dinner and local entertainment at the estate.

(Breakfast and lunch onboard) (Dinner)

DAY SIX – Pinhão / Castelo Rodrigo

Fresh air and beautiful scenery greet you this morning as you sail along the river. On the afternoon's excursion, travel back in history to the medieval village of Castelo Rodrigo. Travel via coach through a scenic landscape of olive and almond trees be-



Feel the rhythm of the city in the Plaza Mayor, Salamanca, Spain

fore arriving at the stone archway entrance to the walled village. An inside visit to the well-preserved Church of Our Lady of Rocamadador showcases relics of the period. See the ruins of the castle and clock tower as well as the former prison house, medieval well and pillory as you stroll through the cobblestone lanes. *(Breakfast, lunch and dinner onboard)*

DAY SEVEN – Salamanca, Spain

Today's excursion travels through rolling hills, past small villages and hilltop towns to the UNESCO World Heritage Site of Salamanca, Spain. During the guided walking tour of one of the most important university cities in Spain, you'll see amazingly detailed and intricately carved buildings of the university, the 12th-century Romanesque church of San Martin and the House of Shells. Regal splendor abounds in the Plaza Mayor, the heartbeat of the city, and cultural immersion ensues with a lunch of deliciously authentic cuisine and a Flamenco show in a local restaurant. After spending the day in Spain, return to the ship in Portugal where a dinner of barbeque Portuguese specialties awaits. *(Breakfast and dinner onboard) (lunch)*

DAY EIGHT – Régua and Lamego

Enjoy the morning onboard leisurely sailing along the Douro through landscapes of terraced vineyards and small towns. An afternoon excursion to the countryside visits the wine chateau *Quinta do Seixo*. Learn about the wine-making process of Port wine before sampling the vintage from the tasting room offering spectacular views of the river valley and vineyards below. This



Tile work adorns the Sanctuary of Our Lady of Remedies



is sure to be a life-enriching experience! Touring continues in Lamego, home to the Sanctuary of Our Lady of Remedies, and one of the most important pilgrimage sites in Portugal. You have the opportunity to walk down the iconic 686-step granite staircase, decorated with the traditional Portuguese blue and white 'azulejos' tiles. Special entertainment is presented onboard this evening with a local folklore and Fado show.

(Breakfast, lunch and dinner onboard)

DAY NINE – Régua and Entre-os-Rios

Following a morning at leisure in Régua, enjoy a final day of cruising along the Douro as scenic landscapes unfold around every bend. This evening, in Entre-os-Rios, an off-ship adventure awaits with a visit to the 13th-century Benedictine Alpendurada Monastery for our included dinner. Your guides lead you through the hallways and small chambers as they explain about the art and architecture of the monastery. Enjoy a welcome drink before arriving at the dining room where our dinner is served in this atmospheric venue. *(Breakfast and lunch onboard)*

(Dinner)

DAY TEN – Porto

Porto is one of the oldest European centers and a UNESCO World Heritage Site. During the included city tour, experience the beautiful views of the "French Riviera of Porto" on the drive along the coastal road of the Atlantic Ocean to the mouth of the Douro River. During a short walking tour, see the city's cathedral and São Bento train station with its elaborate interior tile mosaics. During a visit to a Port wine cave you can sample this local vintage during an included wine tasting. The final excursion visits Guimarães, one of the country's most important historical cities that had an important role in the formation of Portugal. The well-preserved city center has earned Guimarães a spot on the list of UNESCO World Heritage Sites. On the included walking tour, see the Castelo de Guimarães, former palace of the Dukes of Bragança, quaint town squares and picturesque residential lanes as your guide walks you through this historic city. *(Breakfast, lunch and dinner onboard)*

DAY ELEVEN – Porto / USA

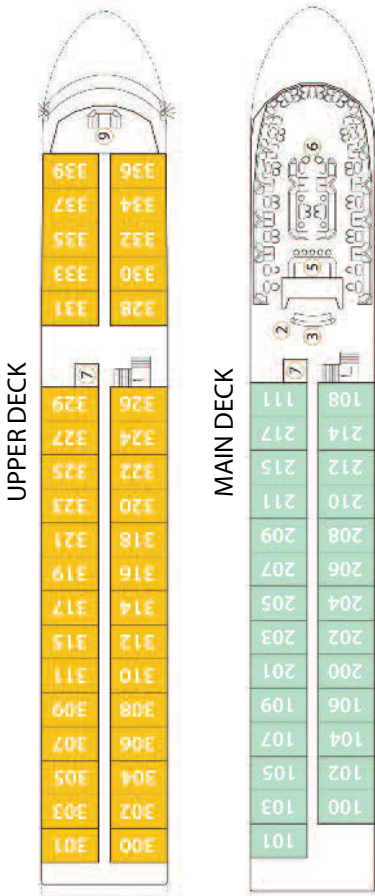
This morning, disembark the *MS Douro Queen* and bid a fond farewell to Portugal filled with memories of this remarkable river cruise. *(Breakfast)*

PORTUGAL AND THE DOURO RIVER CRUISE

MS Douro Queen

The *MS Douro Queen* is exclusively chartered for your river cruise holiday sailing with just 130 passengers, creating a casual yet sophisticated yacht-like atmosphere. You'll cruise the valley of the 'River of Gold,' enjoying the intimate setting of your ship – the *MS Douro Queen*.

Built: 2005 Speed: 15.5 mph Staterooms: 65 Length: 261 ft. Crew: 40



Upper Deck Stateroom (160 sq. ft.)

- ✓ All staterooms offer beds that can be configured either as two separate twin beds or as a single larger double bed, private balcony, private bathroom with shower, hair dryer, individually controlled air conditioning and heating, closet, vanity with seat, several drawers, 2 night tables, full length mirror, TV, safe

Main Deck Stateroom (150 sq. ft.)

- ✓ Most staterooms offer beds that can be configured either as two separate twin beds or as a single larger double bed, panoramic window, private bathroom with shower, hair dryer, individually controlled air conditioning and heating, closet, vanity with seat, several drawers, 2 night tables, full length mirror, TV, safe

Public Areas and Ship Amenities

- ✓ Reception
- ✓ Main Lounge with dance floor
- ✓ Main Bar
- ✓ Dining Room
- ✓ Sun Deck featuring deck chairs and a swimming pool
- ✓ Hospitality Desk
- ✓ Elevator
- ✓ Gift Shop
- ✓ Internet access in the reception and bar areas
- ✓ Voltage: 220V



Lounge



Dining room



Stateroom

2017 DEPART USA		MAIN DECK*	UPPER DECK**
September 24	PER PERSON TWIN	\$5,809	\$6,109
	SINGLE ROOM ADD	\$2,529	\$2,729



Pricing includes round trip air out of Billings.

Air itineraries may not be available until documents are received. Air seats are assigned by the airline for the entire group. Seat changes can only be attempted upon receipt of tickets and documents at which time availability may be limited. If specific seat assignments are vital to your reservation, we recommend individual air reservations rather than booking air with the group.

All staterooms and suites are river view with private bathroom and shower, hair dryer, radio, television, safe, individually controlled heating and air conditioning.

*Staterooms on this deck feature a panoramic window (does not open)

**Staterooms on this deck feature a private balcony

FOR RESERVATIONS OR INFORMATION CONTACT:

L.S. GLOBAL TRAVEL
Linda Sokoloski
 1001 S 24th Street W Ste 107
 Billings, MT 59102
(406) 294-8753
 lsglobaltravel@aol.com

CRUISE AND HOTEL ACCOMMODATIONS

Days Two and Three – Hotel Sana Lisboa or similar, Lisbon, Portugal

Days Four through Ten – Aboard the *MS Douro Queen*



TOUR ACTIVITY LEVEL

EASY **1** **2** **3** **4** **5** ENERGETIC

Travelers Protection Plan (TPP) for River Cruises - \$429 (Optional)

This nonrefundable fee will provide a refund to you during the instance that you have to cancel your trip. The cancellation has to be for a covered reason (see Plan for details on coverage) and we have to be notified at least one day prior to departure. If you must leave the tour early due to personal illness, illness or death of a member of your immediate family, TPP will provide a refund for any unused services after the departure of the tour. Other benefits include medical expenses for illness and injury, emergency transportation, 24 hour hot line and lost or stolen baggage assistance. Return air transportation is included ONLY if your air tickets were purchased through Mayflower Tours. Please review the Plan for details on coverage.

Without Travelers Protection Plan (TPP)

- 91 days or more Deposit Amount
- 90 days to day of departure 100% of the total tour
- No refund on unused portions of the tour

Plan and benefits offered and administered by Trip Mate, Inc.

